

October 9, 2019

STATE OF RHODE ISLAND AND PROVIDENCE PLANTATION
DEPARTMENT OF ADMINISTRATION

DIVISION OF PURCHASES BID NO. 7598949

RHODE ISLAND DEPARTMENT OF TRANSPORTATION

RHODE ISLAND CONTRACT NO.2019-CH-026

FEDERAL-AID PROJECT NO. FAP Nos: 3RD-PRTY(254), REV-MEND(001), STP-0114(026), STPG-HSIP(068)

Broad St Regeneration

Broad Street at Goff/Exchange Street in Pawtucket to Broad Street at Mendon Road in
Cumberland.

CITY/TOWN OF Central Falls, Cumberland, Pawtucket

COUNTY OF PROVIDENCE

NOTICE TO PROSPECTIVE BIDDERS

ADDENDUM NO. 3 Prospective bidders and all concerned are hereby notified of the following changes in the Plans, Specifications, Proposal and Distribution of Quantities for this contract. These changes shall be incorporated in the Plans, Specifications, Proposal and Distribution of Quantities, and shall become an integral part of the Contract Documents.

A. Contract Dates

1. Bid-Opening Date
Bid-Opening Date Updated To "10/18/2019".

B. Other Item Changes

1. Item 937.0200 - Maintenance and Movement of Traffic Protection
Lowest Acceptable Bid Price Updated to \$700,000.00 per Lump Sum.

C. Distribution of Quantities

1. Table of Contents – Distribution of Quantities
Delete Pages Index 1 (R-2) through Index 6 (R-2) and Index 7 in their entirety and replace them with revised Pages Index 1 (R-3) through Index 6 (R-3) and Index 7 (R-1) attached to this Addendum No. 3.

2. Item Code 702.9901 Bioretention Curb Inlet Planter

Delete Page 66 (R-1) of 318 in its entirety and replace with Page 66 of 318 (R-2) attached to this Addendum No. 3. The quantity for Item Code 702.9901 has been revised.

Delete Page 66a of 318 in its entirety and replace with Page 66a of 318 (R-1) attached to this Addendum No. 3. The quantity for Item Code 702.9901 has been revised.

D. Drawings/Plans - Change/Addition

1. Volume 1 – Miscellaneous Details No. 2

Delete Sheet 39 (R-1) in its entirety and replace it with Sheet 39 (R-2) attached to this Addendum No. 3. The sheet has been revised.



RI Department of Transportation

Manager, Division of Project Management

Contract Summary

ESTIMATE NAME: Addendum No. 3

RHODE ISLAND CONTRACT NUMBER: 2019-CH-026

RHODE ISLAND FEDERAL-AID\STATE-AID PROJECT NUMBERS: 3RD-PRTY(254), REV-MEND(001), STP-0114(026), STPG-HSIP(068)

PROJECT: Broad St Regeneration

LIMITS: Broad Street at Goff/Exchange Street in Pawtucket to Broad Street at Mendon Road in Cumberland.

CITY/TOWN: Central Falls, Cumberland, Pawtucket

COUNTY: PROVIDENCE

CONTRACT DESCRIPTION:

Rhode Island Contract No. 2019-CH-026, Federal Aid Project No. STP-0114(026) and No. STPG-HSIP(068), for the Broad Street Regeneration project will consist of but is not limited to erosion control, sawcutting, excavation, micromilling, trimming and fine grading, gravel borrow subbase course, granite curbing, concrete sidewalk, new pavement, signing & striping, new closed drainage system, driveways, utility adjustments, new traffic signals, flagpersons, temporary construction signs, field office, mobilization, maintenance and protection of traffic, loam & seed, and other incidentals completed and accepted as necessary to complete the work of this contract as required by the Engineer.

Cities of Pawtucket and Central Falls, Town of Cumberland. County of Providence.

Additional work shall include Rhode Island Contract No. 2019-CH-026, Federal Aid Project No. STP-0114(026), No. STPG-HSIP(068), REV-MEND(001), and 3RD-PRTY(254), is for Repairs to Mendon Road Manholes and Catch Basins from and Ann and Hope Way to Route 99; in the Town of Cumberland, in the County of Providence. The work shall include, but is not limited to, resetting selected depressed castings to grade including new or reset brick/block leveling courses, corbel repair, excavation, back fill with controlled low strength material (CLSM) non-excavatable flowable type III, remove and dispose pavement, 4"-8" Class 9.5 HMA in 2" lifts to grade around the castings; inlet chute repairs, precast gutter inlets, removing and disposing of gutter inlets, and minor curb and sidewalk repairs associated with depressed gutter and curb drainage inlets, resetting frame and grates or covers, new frame and covers or grates, reset or replace apron or inlet stones, pavement repair, adjust or rebuild select Cumberland sanitary sewer manholes to grade, new sanitary sewer manhole covers, maintenance and movement of traffic, and all incidentals, complete in place and accepted, as necessary to complete the work of this contract to the satisfaction of the Engineer.

DBE STATEMENT:

The Contractor will be required, in accordance with the provisions of the Disadvantaged Business Enterprise Affirmative Action Certification for Contractors and Consultants, to meet the established Race-Conscious Goal, or Contract Goal, of not less than 7.00 percent of the contract bid price, to the Contractors, Subcontractors, and/or suppliers which qualify as Disadvantaged Business Enterprises (DBE's). Failure by the Contractor to demonstrate every good faith effort in fulfilling its DBE commitment during the construction period will result in the reduction in contract payments by the amount determined by multiplying the awarded contract value by the established DBE percentage, and subtracting the dollar value of the work actually performed by DBE contractors. This action will not preclude RIDOT from imposing sanctions or other remedies available as specified in paragraph (l)(C) of the Disadvantaged Business Enterprise Affirmative Action Certification for Contractors and Consultants.

Contract Summary

BID PACKAGE DESCRIPTION:

The Bid Package consists of a single compact disk (CD) containing the following items: Construction Plans, Standard Specifications for Road and Bridge Construction, Compilations of Approved Specifications, Required Contract Provisions for Federal-Aid Construction Contracts, RI Division of Purchases Procurement Regulations, General Provisions, Rhode Island Standard Details, Rhode Island Bridge Standard Details, Federal Wage Rates, Contract-Specific General Provisions, Job-Specific Specifications, Distribution of Quantities, Appendices (if applicable), Quest Lite bid file, Quest Lite installation software and a Quest Lite User Manual. Only complete bid packages will be issued.

APPENDICES DESCRIPTION (IF APPLICABLE):

The Contractor shall be aware that the right of occupancy and/or use for Assessor's Plat 2942 in the City of Pawtucket, Plat 2943 in the City of Central Falls, and Plat 2944 in Town of Cumberland have not yet been obtained. These parcels are affected by two-hundred twenty-four (224) temporary easements and are located along Broad Street at the intersections of Exchange Street and Goff Street in Pawtucket through the intersection of Mendon Road in Cumberland. The contract will not be awarded and notice to proceed issued until the Department has full legal access to areas needed for construction. Arrangements have been made to have all Right-of-Way (ROW) physically available on or before December 31, 2019.

Prospective Bidders are hereby notified that all questions pertaining to this Contract must be submitted to the Department of Transportation in writing through its website at <http://www.dot.ri.gov/contracting/bids/> by accessing the Questions & Answers Menu located within the "Contracting", then "Contract Opportunities" link. Responses to the submitted questions will also be posted under this link. PHONE CALLS WILL NOT BE ACCEPTED.

For help with RIDOT's Quest Lite bid preparation software, please contact the Contracts & Specifications Office, Room 108, Two Capitol Hill, Providence, Rhode Island, 02903, Tel. Number (401)-222-2495 or e-mail Quest@dot.ri.gov.

UNDERSIGNED BIDDER INFORMATION STATEMENT:

The undersigned bidder further agrees, if awarded the contract on this proposal, to begin work within ten (10) calendar days after the date of execution of the contract unless otherwise specified under special provisions or permitted by the Engineer, and further agrees to complete the work on or before the dates outlined in the Contract Documents.

PRE-BID INFORMATION:

PRE-BID DATE:

PRE-BID TIME: 9:00 AM

PRE-BID PLACE: The RIDOT Traffic Management Center Conference Room

BID OPENING INFORMATION:

BID OPENING DATE: October 18, 2019

BID OPENING TIME: 1:00 PM

COMPLETION DATE(S)

DESCRIPTION	DATE
Advertise Date	August 30, 2019
Bid-Opening Date	October 18, 2019
Substantial Completion Date	December 1, 2022

Contract Summary

ADDENDA	DATE POSTED
NO.1	September 18, 2019
NO.2	October 8, 2019
NO.3	October 9, 2019

SPECIAL NOTICE

PROPOSAL

Project Name - Broad St Regeneration

Estimate Name - Addendum No. 3

R.I. Contract No. - 2019-CH-026

FAP Nos - 3RD-PRTY(254),
REV-MEND(001), STP-0114
(026), STPG-HSIP(068)

All items in the Proposal must have a unit bid price in words and figures. All unit bid prices must be extended. Bids will not be accepted if they contain no unit price for an item or if they contain zero in words and figures as the unit price bid.

The minimum acceptable bid price for:

Code 212.2100, MAINTENANCE AND CLEANING OF EROSION AND POLLUTION CONTROLS is Five Thousand Dollars And No Cents (\$5,000.00) per LS

Code 907.0100, WATER FOR DUST CONTROL is Fourteen Dollars And Fifty Cents (\$14.50) per MGAL

Code 914.5010, FLAGPERSONS is Forty Nine Dollars And Fifty Cents (\$49.50) per MHRS

Code 914.5020, FLAGPERSONS - OVERTIME is Sixty Three Dollars And Fifty Cents (\$63.50) per MHRS

Code 935.9901, IMPRINT BRICK PATTERN CROSSWALK is Thirty Dollars And No Cents (\$30.00) per SF

Code 937.0200, MAINTENANCE AND MOVEMENT TRAFFIC PROTECTION is Seven Hundred Thousand Dollars And No Cents (\$700,000.00) per LS

Code 943.0200, TRAINEE MAN-HOURS is Six Dollars And No Cents (\$6.00) per MHRS

The only acceptable bid price for:

Code 202.9903, DISPOSAL OF CONTAMINATED SOIL, TYPE 1 is Thirty Five Dollars And No Cents (\$35.00) per TON

Code 202.9904, LOAD, HAUL, AND DISPOSAL OF OTHER WASTE is One Hundred Thousand Dollars And No Cents (\$100,000.00) per LS

Items preceded with the letter "S" in the proposal are Specialty Items.

Table of Contents - Distribution of Quantities

Project Name - Broad St Regeneration

Estimate Name - Addendum No. 3

R.I. Contract No. - 2019-CH-026

FAP Nos: 3RD-PRTY(254), REV-MEND(001), STP-0114(026), STPG-HSIP(068)

ItemCode	Description	Page
201.0301	CUTTING AND DISPOSING ISOLATED TREES AND STUMPS (4"- 24")	1
201.0310	REMOVE AND DISPOSE SHRUBS	1
201.0321	CLEARING AND GRUBBING	1
201.0401	REMOVE AND DISPOSE GRANITE CURB	1
201.0402	REMOVE AND DISPOSE CONCRETE CURB	2
201.0403	REMOVE AND DISPOSE SIDEWALKS	2
201.0409	REMOVE AND DISPOSE FLEXIBLE PAVEMENT	5
201.0410	REMOVE AND DISPOSE CATCH BASINS	10
201.0413	REMOVE AND DISPOSE RISERS	11
201.0414	REMOVE AND DISPOSE PIPE - ALL SIZES	11
201.0415	REMOVE AND DISPOSE GUARDRAIL AND POST ALL TYPES	11
201.0421	REMOVE AND DISPOSE BITUMINOUS CURB	12
201.0423	REMOVE AND DISPOSE HANDHOLE	12
201.0428	REMOVE AND DISPOSE FRAME AND GRATE OR FRAME AND COVER	13
201.0450	REMOVE AND STOCKPILE ON SITE GRANITE CURB	14
201.0610	REMOVE AND DISPOSE DIRECTIONAL, WARNING, REGULATORY, SERVICE, AND STREET SIGNS	23
201.0617	REMOVE AND DISPOSE CONDUIT - ALL SIZES	31
201.9902	REMOVE AND RESET CONCRETE CAR STOP	32
202.0100	EARTH EXCAVATION	32
202.0200	ROCK EXCAVATION COMMON	32
202.9901	HANDLING, HAULING, STOCKPILING, AND MANAGEMENT OF CONTAMINATED SOILS	33
202.9902	LOAD AND HAUL CONTAMINATED SOIL, TYPE 1	33
202.9903	DISPOSAL OF CONTAMINATED SOIL, TYPE 1	33
202.9904	LOAD, HAUL, AND DISPOSAL OF OTHER WASTE	33
204.0100	TRIMMING AND FINE GRADING	33
206.0301	COMPOST FILTER SOCK	34
209.9901	INLET PROTECTION	36
212.2100	MAINTENANCE AND CLEANING OF EROSION AND POLLUTION CONTROLS	41
302.0100	GRAVEL BORROW SUBBASE COURSE	42
303.0100	SPECIAL GRADED AGGREGATE FOR SHAPING AND TRIMMING DRIVEWAYS OR SHOULDERS	42
401.1100	MODIFIED CLASS 19.0 HMA	42
401.3002	CLASS 9.5 HMA FOR LEVELLING	42
401.3100	MODIFIED CLASS 9.5 HMA	43
403.0300	ASPHALT EMULSION TACK COAT	43
601.0200	CLASS XX PORTLAND CEMENT CONCRETE	43
701.0412	REINFORCED CONCRETE PIPE M 170 CLASS III 12 INCH	46
701.0418	REINFORCED CONCRETE PIPE M 170 CLASS III 18 INCH	48
701.0424	REINFORCED CONCRETE PIPE M 170 CLASS III 24 INCH	48
701.6008	8 INCH DUCTILE IRON SEWER SAFE PIPE CLASS 52	49
701.6012	12 INCH DUCTILE IRON SEWER SAFE PIPE CLASS 52	50
701.6024	24 INCH DUCTILE IRON SEWER SAFE PIPE CLASS 52	51
702.0211	SOLID BLOCK SHALLOW 5'-0" ROUND MANHOLE STANDARD 3.2.2	51
702.0511	FRAME AND COVER STANDARD 6.1.0	51
702.0516	FRAME AND GRATE, HIGH CAPACITY, STANDARD 6.3.4	52
702.0521	FRAME AND COVER STANDARD 6.2.0	55
702.0522	FRAME AND COVER STANDARD 6.2.1	55
702.0540	GRANITE INLET STONE 5 FOOT STANDARD 7.3.5	56
702.0541	GRANITE INLET STONE 38" STANDARD 7.3.6	57
702.0542	GRANITE APRON STONE 5FT. STANDARD 7.3.7	58
702.0543	GRANITE APRON STONE 38" STANDARD 7.3.8	59
702.0605	PRECAST CATCH BASIN 4' DIAMETER STANDARD 4.4.0	61

Table of Contents - Distribution of Quantities

Project Name - Broad St Regeneration

Estimate Name - Addendum No. 3

R.I. Contract No. - 2019-CH-026

FAP Nos: 3RD-PRTY(254), REV-MEND(001), STP-0114(026), STPG-HSIP(068)

ItemCode	Description	Page
702.0610	PRECAST CATCH BASIN 5' DIAMETER STANDARD 4.4.0	63
702.0630	PRECAST MANHOLE 4' DIAMETER STANDARD 4.2.0	63
702.0712	PRECAST CONCRETE DROP INLET STANDARD 4.5.0	63
702.0713	PRECAST CONCRETE DROP INLET WITH APRON STONE STANDARD 4.5.1	64
702.0714	PRECAST CONCRETE DROP INLET WITH APRON STONE STANDARD 4.5.2	65
702.0810	CONCRETE COVER SHALLOW 5'-0" ROUND MANHOLES STANDARD 4.6.1	65
702.0840	ALTERNATE TOP COVER ROUND PRECAST MANHOLES AND CATCH BASINS STANDARD 4.7.2	65
702.9901	BIORETENTION CURB INLET PLANTER	66
704.0100	RECONSTRUCT CATCH BASIN/CORBEL CONES	66
705.1300	RECONSTRUCT CB TYPE 'D' TO CATCH BASIN WITH GUTTER INLET	66
707.0900	ADJUST MANHOLES TO GRADE	67
707.0950	ADJUST TELEPHONE MANHOLE TO GRADE	68
707.0955	ADJUST ELECTRICAL MANHOLE TO GRADE	70
707.1000	ADJUST SANITARY MANHOLE	71
707.1200	ADJUST CATCH BASIN TO MANHOLE	74
707.1900	ADJUST FRAME & COVER TO GRADE	74
707.2000	ADJUST FRAME AND GRATE TO GRADE	77
707.9901	ADJUST GRANITE TOP	79
708.9040	CLEANING AND FLUSHING PIPE ALL SIZES	79
708.9041	CLEANING CATCH BASINS ALL TYPES AND SIZES	84
708.9042	CLEANING MANHOLES ALL TYPES AND SIZES	88
713.8268	ADJUST CURB STOP BOX TO GRADE	90
713.8269	ADJUST WATER GATE BOXES TO GRADE	99
713.8300	ADJUST GAS GATE BOXES TO GRADE	104
901.9903	REMOVE AND RESET TRASH RECEPTACLE	106
903.0204	CHAIN LINK FENCE 4' STANDARD 31.1.0	107
903.0206	CHAIN LINK FENCE 6' STD 31.2.0	107
903.9901	CONCRETE FILLED GALVANIZED STEEL BOLLARD	107
904.0100	REMOVE AND RESET FENCE AND/OR RAILING	107
904.0101	REMOVE AND RESET FENCE AND/OR RAILING CHAIN LINK	107
904.0200	FENCE POSTS REPLACED	108
905.0110	PORTLAND CEMENT SIDEWALK MONOLITHIC STANDARD 43.1.0	109
905.0115	PORTLAND CEMENT CONCRETE DRIVEWAY STANDARD 43.5.0	126
905.0131	PORTLAND CEMENT CONCRETE MEDIAN 6'' MONOLITHIC	132
905.9902	FURNISH AND INSTALL BRICK SIDEWALK	132
906.0100	SLOPE FACED GRANITE CURB - QUARRY SPLIT STRAIGHT STANDARD 7.4.0	133
906.0101	SLOPE FACED GRANITE CURB - QUARRY SPLIT CIRCULAR STANDARD 7.4.0	133
906.0110	GRANITE CURB, QUARRY SPLIT STRAIGHT, STANDARD 7.3.0	134
906.0111	GRANITE CURB, QUARRY SPLIT CIRCULAR, STANDARD 7.3.0	150
906.0116	GRANITE CURB, QUARRY SPLIT 2 FOOT CORNERS, STANDARD 7.3.4	156
906.0117	GRANITE CURB - QUARRY SPLIT 3 FOOT CORNERS	161
906.0118	6' GRANITE TRANSITION CURB, QUARRY SPLIT SPECIAL TRANSITION STANDARD 7.3.2	161
906.0119	3' GRANITE TRANSITION CURB STANDARD 7.3.1	167
906.0120	GRANITE WHEELCHAIR RAMP CURB STANDARDS 7.3.3, 43.3.0 AND 43.3.1	174
906.0130	GRANITE RAMP STONE STRAIGHT STANDARD 7.3.9	180
906.0131	GRANITE RAMP STONE CIRCULAR STANDARD 7.3.9	183
906.0210	CEMENT CONCRETE CURB PRECAST STRAIGHT STANDARD 7.1.0	186

Table of Contents - Distribution of Quantities

Project Name - Broad St Regeneration

Estimate Name - Addendum No. 3

R.I. Contract No. - 2019-CH-026

FAP Nos: 3RD-PRTY(254), REV-MEND(001), STP-0114(026), STPG-HSIP(068)

ItemCode	Description	Page
906.0600	BITUMINOUS CURBING STANDARD 7.5.0	186
906.0700	REMOVE, HANDLE, HAUL TRIM RESET CURB EDGING, STRAIGHT, CIRCULAR ALL TYPES	186
906.0720	RESET STOCKPILE CURB STRAIGHT CIRCULAR CORNER RETURNS	186
907.0100	WATER FOR DUST CONTROL	186
914.5010	FLAGPERSONS	187
914.5020	FLAGPERSONS - OVERTIME	187
915.0100	HIGHWAY BOUND GRANITE STANDARD 14.2.0	187
915.0240	REMOVE AND RESET HIGHWAY BOUNDS (ALL TYPES)	187
916.9901	NARROW IMPACT ATTENUATOR FOR TEMPORARY TRAFFIC CONTROL	188
919.0101	TEST PITS	188
922.0100	TEMPORARY CONSTRUCTION SIGNS STANDARD 29.1.0 AND 27.1.1	188
923.0120	PLASTIC PIPE BARRICADE STANDARD 26.3.0	189
923.0200	FLUORESCENT TRAFFIC CONES STANDARD 26.1.0	189
923.9901	TEMPORARY PEDESTRIAN CURB RAMP	190
924.0113	ADVANCE WARNING ARROW PANEL	190
926.9901	UNANCHORED BARRIER FOR TEMPORARY TRAFFIC CONTROL (MASH TL-3)	190
926.9902	ANCHORED BARRIER FOR TEMPORARY TRAFFIC CONTROL (MASH TL-3)	190
926.9903	POLYETHYLENE WATER FILLED BARRIER FOR TEMPORARY TRAFFIC CONTROL	190
929.0110	FIELD OFFICE	190
931.0110	CLEANING AND SWEEPING PAVEMENT	191
932.0100	CUTTING AND MATCHING ASPHALT	191
932.0200	FULL-DEPTH SAWCUT OF BITUMINOUS PAVEMENT	193
932.0220	FULL DEPTH SAWCUT OF BITUMINOUS SIDEWALK/DRIVEWAY	196
932.0230	FULL DEPTH SAWCUT OF PORTLAND CEMENT CONCRETE SIDEWALK/DRIVEWAY	201
935.0400	REMOVING BITUMINOUS PAVEMENT BY MICRO MILLING	208
935.9901	IMPRINT BRICK PATTERN CROSSWALK	208
936.0110	MOBILIZATION	209
937.0200	MAINTENANCE AND MOVEMENT TRAFFIC PROTECTION	209
942.0200	DETECTABLE WARNING PANEL STANDARD 48.1.0	209
943.0200	TRAINEE MAN-HOURS	215
945.0100	REMOVE AND DISPOSE TRAFFIC SIGNAL EQUIPMENT	215
945.0200	REMOVE AND SALVAGE TRAFFIC SIGNAL EQUIPMENT	215
L01.0102	LOAM BORROW 4 INCHES DEEP	216
L02.0102	RESIDENTIAL SEEDING (TYPE 2)	219
L06.0513	WOOD CHIPS FURNISH AND SPREAD 4'' DEPTH	222
L06.9901	ZELKOVA SERRATA 'HALKA'\HALKA ZELKOVA B&B 2"-2.5" CAL.	223
L06.9902	SYRINGA RETICULATA 'IVORY SILK'/IVORY SILK JAPANESE TREE LILAC B&B 10'-12'	223
L06.9903	ACER CAMPESTRE/HEDGE MAPLE B&B 2"-2.5" CAL.	223
L11.0102	TREE PLANT PROTECTION DEVICE STANDARD 51.1.0	223
L11.0103	SHRUB PLANT PROTECTION DEVICE STANDARD 51.2.0	226
T04.5001	6 AWG SINGLE CONDUCTOR CABLE 600V INSULATION	226
T04.5303	14 AWG 3 CONDUCTOR CABLE	226
T04.5305	14 AWG 5 CONDUCTOR CABLE	227
T04.5307	14 AWG 7 CONDUCTOR CABLE	228
T04.9901	VIDEO DETECTION SYSTEM CABLE	228
T04.9902	ADVANCED VIDEO DETECTION SYSTEM CABLE	229
T04.9903	OPTICAL DETECTOR CABLE	229
T05.0100	PRECAST TYPE A HANDHOLE STANDARD 18.2.0	229
T05.1030	ADJUST HANDHOLE TO GRADE	230

Table of Contents - Distribution of Quantities

Project Name - Broad St Regeneration

Estimate Name - Addendum No. 3

R.I. Contract No. - 2019-CH-026

FAP Nos: 3RD-PRTY(254), REV-MEND(001), STP-0114(026), STPG-HSIP(068)

ItemCode	Description	Page
T05.9901	BREAK INTO EXISTING HANDHOLE	231
T05.9902	BREAK INTO EXISTING MANHOLE	231
T06.1030	3 IN. RIGID STEEL CONDUIT-UNDERGROUND	231
T06.1040	4 IN. RIGID STEEL CONDUIT-UNDERGROUND	231
T06.2020	2 IN. RIGID STEEL CONDUIT-OVERHEAD	231
T06.3020	2 IN. RIGID STEEL CONDUIT-UNDER EXISTING PAVEMENT	232
T06.3030	3 IN. RIGID STEEL CONDUIT-UNDER EXISTING PAVEMENT	233
T06.3040	4 IN. RIGID STEEL CONDUIT-UNDER EXISTING PAVEMENT	233
T06.5330	3 INCH SCHEDULE 40 POLYVINYL CHLORIDE PLASTIC CONDUIT - UNDER EXISTING PAVEMENT	234
T06.5340	4 INCH SCHEDULE 40 POLYVINYL CHLORIDE PLASTIC CONDUIT - UNDER EXISTING PAVEMENT	234
T06.5430	3 INCH SCHEDULE 80 POLYVINYL CHLORIDE PLASTIC CONDUIT - UNDER EXISTING PAVEMENT	234
T06.5440	4 INCH SCHEDULE 80 POLYVINYL CHLORIDE PLASTIC CONDUIT - UNDER EXISTING PAVEMENT	235
T06.6020	2 INCH POLYVINYL CHLORIDE PLASTIC CONDUIT-OVERHEAD	235
T11.0820	** ITEM DELETED **	236
T11.0830	** ITEM DELETED **	236
T11.0845	** ITEM DELETED **	236
T11.0850	** ITEM DELETED **	237
T11.2008	TRAFFIC SIGNAL STANDARD,8 FOOT,STD 19.4.0 ALUMINUM PEDESTAL POLE AND FOUNDATION	237
T11.2010	TRAFFIC SIGNAL STANDARD,10 FT, STD 19.4.0 ALUMINUM PEDESTAL POLE AND FOUNDATION	238
T11.9901	15 FOOT GALVANIZED STEEL MAST ARM TRAFFIC SIGNAL POST AND FOUNDATION STD. 19.2.0	238
T11.9902	15 FOOT GALVANIZED STEEL MAST ARM TRAFFIC SIGNAL POST AND FOUNDATION STD. 19.2.0 (MODIFIED I)	239
T11.9903	20 FOOT GALVANIZED STEEL MAST ARM AND TRAFFIC SIGNAL POST AND FOUNDATION STD. 19.2.0	239
T11.9904	20 FOOT GALVANIZED STEEL MAST ARM TRAFFIC SIGNAL POST AND FOUNDATION STD. 19.2.0 (MODIFIED I)	239
T11.9905	20 FOOT GALVANIZED STEEL MAST ARM TRAFFIC SIGNAL POST AND FOUNDATION STD. 19.2.0 (MODIFIED II)	239
T11.9906	20 FOOT GALVANIZED STEEL MAST ARM TRAFFIC SIGNAL POST AND FOUNDATION STD. 19.2.0 (MODIFIED III)	240
T11.9907	20 FOOT GALVANIZED STEEL MAST ARM TRAFFIC SIGNAL POST AND FOUNDATION STD. 19.2.0 (MODIFIED IV)	240
T11.9908	20 FOOT GALVANIZED STEEL MAST ARM TRAFFIC SIGNAL POST AND FOUNDATION STD. 19.2.0 (MODIFIED V)	240
T11.9909	20 FOOT GALVANIZED STEEL MAST ARM TRAFFIC SIGNAL POST AND FOUNDATION STD. 19.2.0 (MODIFIED VI)	240
T11.9910	25 FOOT GALVANIZED STEEL MAST ARM TRAFFIC SIGNAL POST AND FOUNDATION STD. 19.2.0 (MODIFIED I)	241
T11.9911	30 FOOT GALVANIZED STEEL MAST ARM TRAFFIC SIGNAL POST AND FOUNDATION STD. 19.2.0 (MODIFIED I)	241
T11.9912	45 FOOT GALVANIZED STEEL MAST ARM TRAFFIC SIGNAL POST AND FOUNDATION STD. 19.2.0 (MODIFIED I)	241
T11.9913	50 FOOT GALVANIZED STEEL MAST ARM TRAFFIC SIGNAL POST AND FOUNDATION STD. 19.2.0	241
T12.0018	ACTUATED CONTROLLER TS-2, TYPE 1 W/8 PHASE ASSEMBLY GROUND MOUNTED INCLUDING FOUNDATION AND CABINET STD. 19.1.0	242
T12.9150	METER SOCKET W/MANUAL BY-PASS	242

Table of Contents - Distribution of Quantities

Project Name - Broad St Regeneration

Estimate Name - Addendum No. 3

R.I. Contract No. - 2019-CH-026

FAP Nos: 3RD-PRTY(254), REV-MEND(001), STP-0114(026), STPG-HSIP(068)

ItemCode	Description	Page
T12.9901	MODIFY EXISTING TRAFFIC SIGNAL CONTROLLER CABINET	243
T12.9902	VIDEO DETECTION SYSTEM HARDWARE	243
T12.9903	ADVANCED VIDEO DETECTION SYSTEM HARDWARE	
Cont.		
T12.9904	GPS TIME SYNCHRONIZATION UNIT	244
T13.8210	ACCESSIBLE PEDESTRIAN DETECTOR - PUSHBUTTON WITH SIGN	244
T13.9901	VIDEO DETECTION SYSTEM CAMERA	246
T13.9902	ADVANCED VIDEO DETECTION SYSTEM CAMERA	248
T13.9903	OPTICAL DETECTOR - SINGLE CHANNEL, ONE-WAY	248
T13.9904	MULTIMODE PHASE SELECTOR AND CHASSIS	248
T13.9905	OPTICAL DETECTOR CONFIRMATION BEACON	249
T14.3513	1 WAY 3 SECTION MAST ARM MOUNTED SIGNAL HEAD 12 INCH	249
T14.3516	1 WAY 4 SECTION MAST ARM MOUNTED SIGNAL HEAD 12 INCH (W/ DUAL IND DUAL ROW L.E.D. ARROW)	251
T14.3613	1 WAY 3 SECTION BRACKET MOUNTED SIGNAL HEAD 12 INCH	251
T14.3713	1 WAY 3 SECTION PEDESTAL MOUNTED SIGNAL HEAD 12 INCH	252
T14.9901	1 WAY PEDESTAL MOUNTED LED PEDESTRIAN SIGNAL HEAD WITH COUNTDOWN TIMER 12 INCH	252
T14.9902	2 WAY PEDESTAL MOUNTED LED PEDESTRIAN SIGNAL HEAD WITH COUNTDOWN TIMER 12 INCH	253
T14.9903	1 WAY BRACKET MOUNTED LED PEDESTRIAN SIGNAL HEAD WITH COUNTDOWN TIMER 12 INCH	254
T15.0100	DIRECTIONAL REGULATORY AND WARNING SIGNS	255
T15.0200	REMOVE AND RELOCATE DIRECTIONAL REGULATORY AND WARNING SIGN	267
T15.1100	STREET SIGN - OVERHEAD MOUNTED	267
T15.2000	PARKING SIGNS	268
T15.9901	REMOVE AND RESET SIGN AND POST	274
T20.0706	6 INCH WHITE WATERBORNE PAINT PAVEMENT MARKINGS	275
T20.0712	12 INCH WHITE WATERBORNE PAINT PAVEMENT MARKINGS	275
T20.0904	4 INCH YELLOW WATERBORNE PAINT PAVEMENT MARKINGS	276
T20.0912	12 INCH YELLOW WATERBORNE PAINT PAVEMENT MARKINGS	276
T20.1401	WATERBORNE PAINT PAVEMENT MARKING SYMBOL - ARROW (STRAIGHT, LEFT, RIGHT OR COMBINED) STANDARD 20.1.0	276
T20.2406	6 INCH WHITE FINAL EPOXY RESIN PAVEMENT MARKINGS	276
T20.2412	12 INCH WHITE FINAL EPOXY RESIN PAVEMENT MARKINGS	284
T20.2804	4 INCH YELLOW FINAL EPOXY RESIN PAVEMENT MARKINGS	290
T20.2812	12 INCH YELLOW FINAL EPOXY RESIN PAVEMENT MARKINGS	292
T20.3401	FINAL EPOXY RESIN PAVEMENT MARKING SYMBOL - ARROW (STRAIGHT, LEFT, RIGHT OR COMBINED) STANDARD 20.1.0	293
T20.3405	FINAL EPOXY RESIN PAVEMENT MARKING SYMBOL - YIELD LINE TRIANGLE (ALL SIZES)	293

Table of Contents - Distribution of Quantities

Project Name - Broad St Regeneration

Estimate Name - Addendum No. 3

R.I. Contract No. - 2019-CH-026

FAP Nos: 3RD-PRTY(254), REV-MEND(001), STP-0114(026), STPG-HSIP(068)

ItemCode	Description	Page
T20.3416	FINAL EPOXY RESIN PAVEMENT MARKING SYMBOL SET - BIKE LANE (HELMETED BICYCLIST AND ARROW)	294
T20.3418	FINAL EPOXY RESIN PAVEMENT MARKING SYMBOL SET - BICYCLE DETECTOR	295
T20.9901	24 INCH EPOXY RESIN PAVEMENT MARKINGS GREEN	295
T20.9902	EPOXY RESIN PAVEMENT MARKING - BICYCLE LANE, GREEN	296
T20.9903	EPOXY RESIN PAVEMENT MARKING - BICYCLE TURN BOX	296
201.0422	REMOVE AND DISPOSE DROP INLET	296
201.0453	REMOVE AND STOCKPILE ON SITE FRAME GRATES AND COVERS	296
201.9901	REMOVE AND DISPOSE OF GRATE ONLY 6.3.2G (DGO)	297
202.0800	GRAVEL BORROW	297
401.3005	CLASS 9.5 HMA FOR MISCELLANEOUS WORK	297
410.9901	SEWER MANHOLE PAVEMENT PATCH (SMPP)	298
702.0510	HEAVY-DUTY SQUARE FRAME AND ROUND COVER STANDARD 6.1.1	298
702.0517	FRAME AND GRATE, STANDARD 6.3.2	298
702.0531	PRECAST CONCRETE INLET STONE 38'' STANDARD 7.1.6	298
702.0532	PRECAST CONCRETE APRON STONE 5' STANDARD 7.1.7	299
702.0533	PRECAST CONCRETE APRON STONE 38'' STANDARD 7.1.8	299
702.9902	SQUARE GRATE ONLY 6.3.2 (DGO)	300
702.9903	CUMBERLAND SANITARY SEWER FRAME AND COVER	300
704.0300	RECONSTRUCT CATCH BASIN/VERTICAL WALLS	302
704.0400	RECONSTRUCT MANHOLE/VERTICAL WALLS	302
704.9901	RECONSTRUCT CATCH BASIN TYPE F	302
704.9902	RECONSTRUCT CATCH BASIN WITH GUTTER INLET (RCBGI)	303
704.9903	RECONSTRUCT DOUBLE CATCH BASIN (RDCB)	304
704.9904	RECONSTRUCT MANHOLE	304
704.9905	RECONSTRUCT SPECIAL GUTTER INLET	305
704.9906	RECONSTRUCT DOUBLE CATCH BASIN -T (RDCB-T)	305
704.9907	RECONSTRUCT SANITARY SEWER MANHOLE	305
704.9908	RECONSTRUCT CATCH BASIN WITH DOUBLE GUTTER INLET TO SINGLE GUTTER INLET (RCBGI-DS)	307
704.9909	RECONSTRUCT CATCH BASIN WITH DOUBLE GUTTER INLET (RCDGI)	307
707.9902	ADJUST SANITARY MANHOLE (ASMH)	307
905.0140	BITUMINOUS SIDEWALK STANDARD 43.2.0	308
906.0211	CEMENT CONCRETE CURB PRECAST CIRCULAR STANDARD 7.1.0	308
906.0212	CEMENT CONCRETE CURB PRECAST 2' CORNER STANDARD 7.1.4	308
906.0221	6' PRECAST CONCRETE TRANSITION CURB STANDARD 7.1.2	309
906.0250	PRECAST CONCRETE WHEELCHAIR RAMP CURB STANDARDS 7.1.3, 43.3.0 AND 43.3.1	309
906.0261	PRECAST CONCRETE RAMP STONE 12-INCH CIRCULAR STANDARD 7.1.9	309
906.0280	3' PRECAST CONCRETE TRANSITION CURB STANDARD 7.1.1	310
917.0105	REMOVE AND REPLACE RURAL MAILBOX POST WITH STANDARD 15.1.0	310
923.0105	DRUM BARRICADE STANDARD 26.2.0	310
925.0112	PORTABLE CHANGEABLE MESSAGE SIGN	310
701.0430	REINFORCED CONCRETE PIPE M 170 CLASS III 30 INCH	310
701.0436	REINFORCED CONCRETE PIPE M 170 CLASS III 36 INCH	311
701.0612	REINFORCED CONCRETE PIPE M 170 CLASS V 12 INCH	312
701.0624	REINFORCED CONCRETE PIPE M 170 CLASS V 24 INCH	313
701.5406	6 INCH DUCTILE IRON WATER PIPE CLASS 52, MECHANICAL JOINT	313

Table of Contents - Distribution of Quantities

Project Name - Broad St Regeneration

Estimate Name - Addendum No. 3

R.I. Contract No. - 2019-CH-026

FAP Nos: 3RD-PRTY(254), REV-MEND(001), STP-0114(026), STPG-HSIP(068)

ItemCode	Description	Page
701.5408	8 INCH DUCTILE IRON WATER PIPE CLASS 52, MECHANICAL JOINT	314
701.6036	36 INCH DUCTILE IRON SEWER SAFE PIPE CLASS 52	314
701.8100	FURNISH AND INSTALL DUCTILE IRON FITTINGS	314
701.8150	TYPE K COPPER SERVICE PIPE	315
701.9001	CONDUCT LEAKAGE TEST	315
701.9002	STERILIZATION OF WATER MAINS	315
702.0210	SOLID BLOCK SHALLOW 4'-0" ROUND MANHOLE STANDARD 3.2.2	315
702.0625	PRECAST CATCH BASIN 6' SQUARE STANDARD 4.3.0	316
702.0635	PRECAST MANHOLE 5' DIAMETER STANDARD 4.2.1	316
702.0800	CONCRETE COVER SHALLOW 4'-0" ROUND MANHOLES STANDARD 4.6.0	316
702.0825	TOP COVER 6'-0" SQUARE CATCH BASINS AND MANHOLES STANDARD 4.7.0	317
T04.9904	CATEGORY 6 ETHERNET CABLE	317
T11.9914	TRAFFIC SIGNAL STANDARD, 4 FOOT - 4 INCH, STD. 19.4.0 ALUMINUM PEDESTAL POLE AND FOUNDATION	317
T11.9915	TRAFFIC SIGNAL STANDARD, 18 FOOT, STD. 19.4.0 ALUMINUM PEDESTAL POLE AND FOUNDATION	317
T11.9916	TRAFFIC SIGNAL STANDARD, 8 FOOT, STD. 19.4.0 ALUMINUM PEDESTAL POLE ON EXISTING FOUNDATION	317
T11.9917	DUAL MAST ARM (30X50) GALVANIZED STEEL TRAFFIC SIGNAL POST AND FOUNDATION STD. 19.2.0	318
T12.9905	INTERSECTION WIDE 360 DEGREE VIDEO DETECTION SYSTEM	318
T20.1410	WATERBORNE PAINT PAVEMENT MARKING WORD ("ONLY", "STOP", "YIELD", "AHEAD", "XING", "SCHOOL", OR OTHER) STANDARD 20.1.0	318
T20.3410	FINAL EPOXY RESIN PAVEMENT MARKING WORD ("ONLY", "STOP", "YIELD", "AHEAD", "XING", "SCHOOL", OR OTHER) STANDARD 20.1.0	318

Distribution of Quantities

Project Name - Broad St Regeneration

Estimate Name - Addendum No. 3

R.I. Contract No. - 2019-CH-026

FAP Nos: 3RD-PRTY(254), REV-MEND(001), STP-0114(026), STPG-HSIP(068)

Item No.	Item Code	Description	UM	Qty.	Pay Code	Seq. No.
058	702.0840	Cont. 4.7.2				
		BROAD STREET				
		STA. 114+20 LT		1.00	0004	02
		STA. 114+20 RT		1.00	0004	02
		STA. 88+00 RT		1.00	0004	02
		STA. 88+29 LT		1.00	0004	02
		STA. 89+20 RT		1.00	0004	02
		STA. 90+30 LT		1.00	0004	02
		STA. 92+49 RT		1.00	0004	02
		STA. 94+50 LT		1.00	0004	02
		STA. 94+51 LT		1.00	0004	02
		STA. 98+09 LT		1.00	0004	02
Item 702.0840 Total:				6.00		
059	702.9901	BIORETENTION CURB INLET PLANTER	EACH			
		BROAD STREET				
		AS DIRECTED BY ENGINEER TO		7.00	0004	02
		COMPLY WITH RIPDES PERMIT				
		(25' L X 2.5'W)				
		PROJECT WIDE		12.00	0004	02
Item 702.9901 Total:				19.00		
060	704.0100	RECONSTRUCT CATCH BASIN/CORBEL	EACH			
		CONES				
		BROAD STREET				
		AS NEEDED		20.00	0004	02
		STA. 103+71 LT		1.00	0004	02
		STA. 126+75 RT		1.00	0004	02
		STA. 146+03 LT		1.00	0004	02
		STA. 150+18 RT		1.00	0004	02
		STA. 150+26 LT		1.00	0004	02
		STA. 25+15 RT		1.00	0004	02
		STA. 27+05 RT		1.00	0004	02

Distribution of Quantities

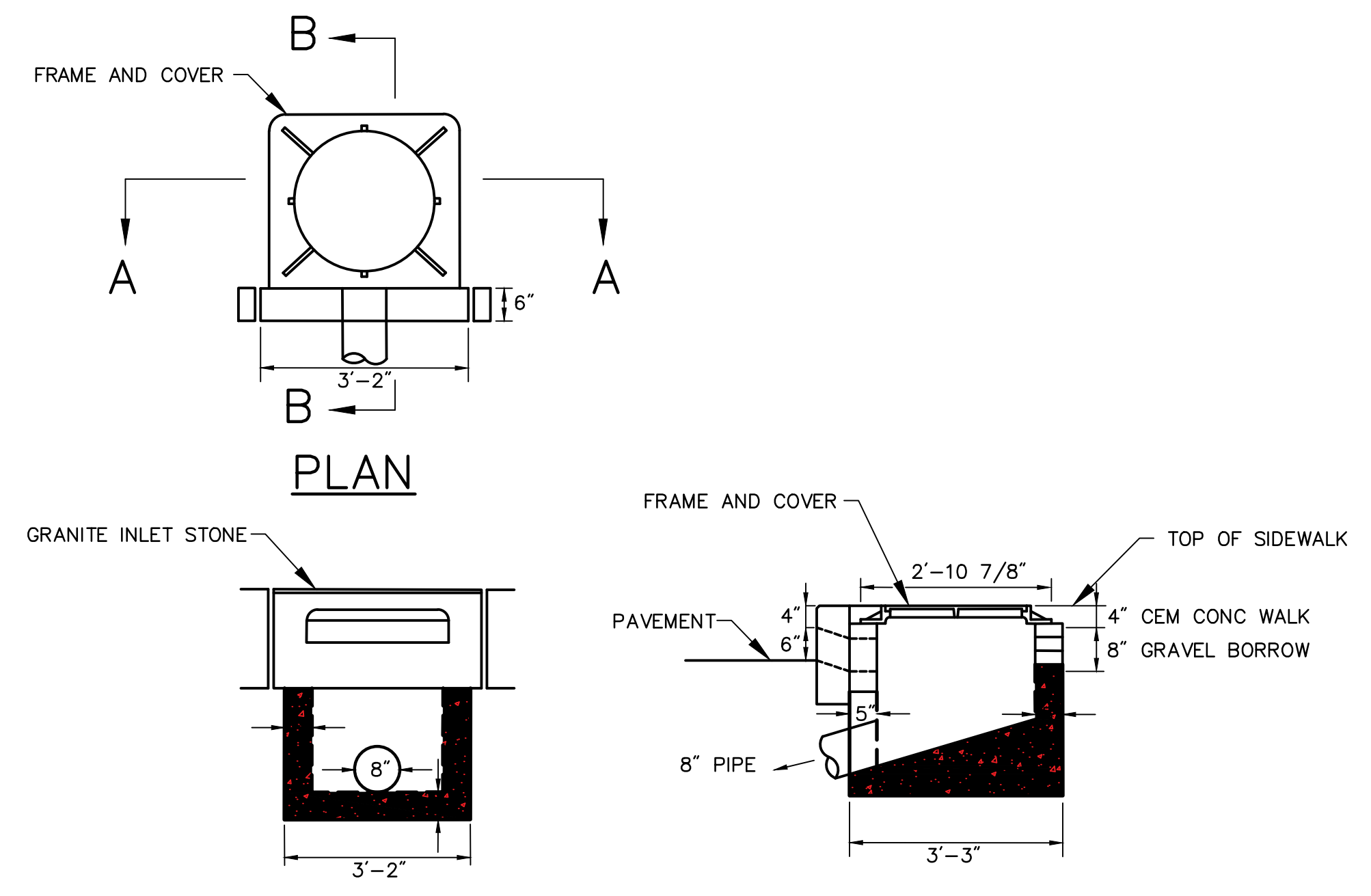
Project Name - Broad St Regeneration

Estimate Name - Addendum No. 3

R.I. Contract No. - 2019-CH-026

FAP Nos: 3RD-PRTY(254), REV-MEND(001), STP-0114(026), STPG-HSIP(068)

Item No.	Item Code	Description	UM	Qty.	Pay Code	Seq. No.
060	704.0100	Cont.				
		STA. 37+29 LT		1.00	0004	02
		STA. 59+43 RT		1.00	0004	02
		STA. 87+05 RT		1.00	0004	02
		EXCHANGE STREET				
		STA. 203+79 RT		1.00	0004	02
		STA. 204+02 LT		1.00	0004	02
		STA. 204+04 RT		1.00	0004	02
		STA. 204+98 RT		1.00	0004	02
Item 704.0100 Total:				34.00		
061	705.1300	RECONSTRUCT CB TYPE 'D' TO CATCH	EACH			



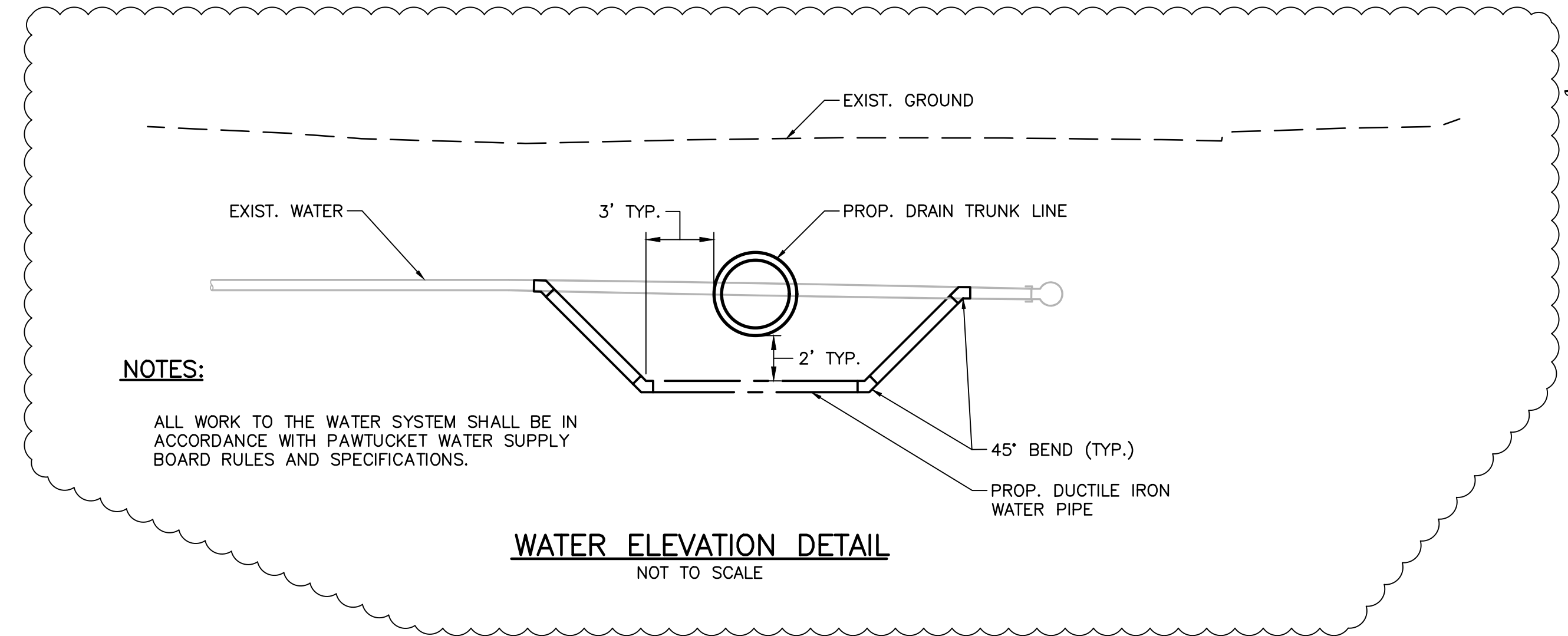
SECTION A-A

SECTION B-B

NOTES:

1. SHALL BE IN ACCORDANCE WITH SECTION 702 OF THE R.I. STANDARD SPECIFICATIONS.
2. MINIMUM REQUIRED CONCRETE REINFORCEMENT = 0.12 SQ. IN./LIN. FT. (EACH WAY).
3. MINIMUM COVER ON REINFORCEMENT SHALL BE 2".

4.5.1M
NOT TO SCALE

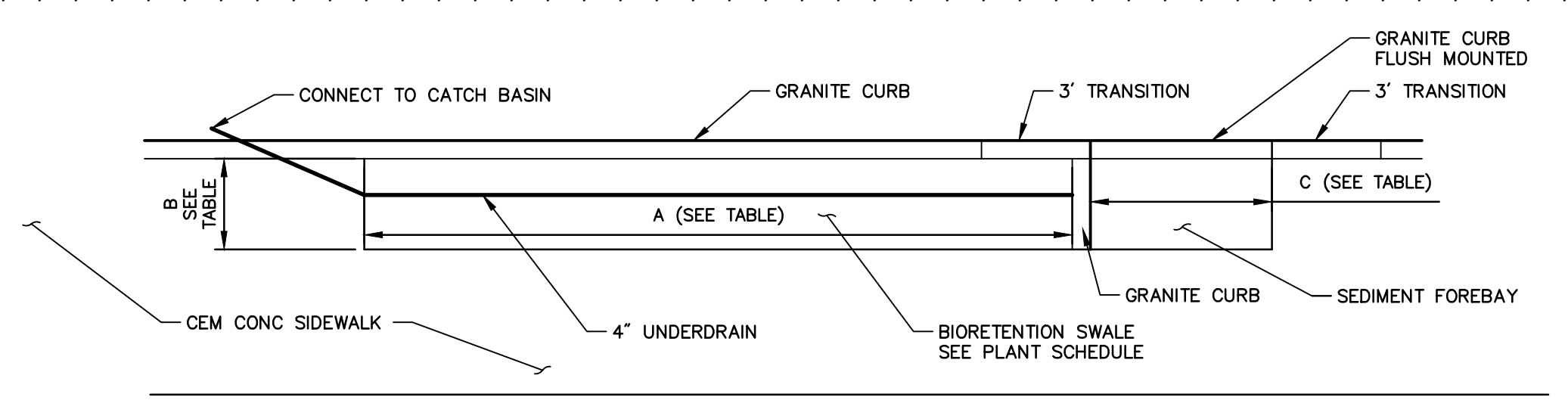


NOTES:

ALL WORK TO THE WATER SYSTEM SHALL BE IN ACCORDANCE WITH PAWTUCKET WATER SUPPLY BOARD RULES AND SPECIFICATIONS.

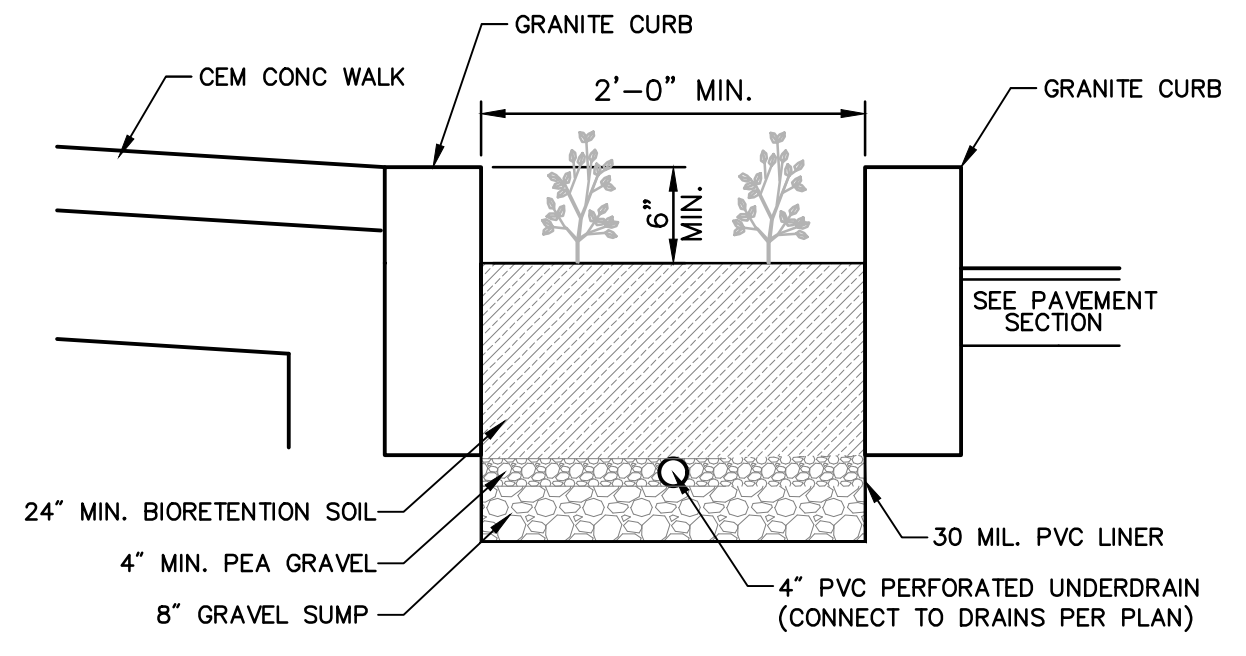
WATER ELEVATION DETAIL
NOT TO SCALE

LOCATION	A	B	C
87+52 RT	19'	2.5'	4'
92+83 RT	25'	2.5'	5'
93+92 RT	20'	2.5'	5'
95+45 RT	17'	2.5'	5'
96+62 RT	16'	2.5'	5'
97+62 RT	20'	2.5'	4'
97+83 RT	15'	2.5'	5'
100+23 RT	28'	2.5'	5'
101+69 RT	15'	2.5'	5'
103+36 RT	15'	2.5'	5'
104+74 RT	35'	2.5'	10'
108+23 RT	31'	2.5'	5'

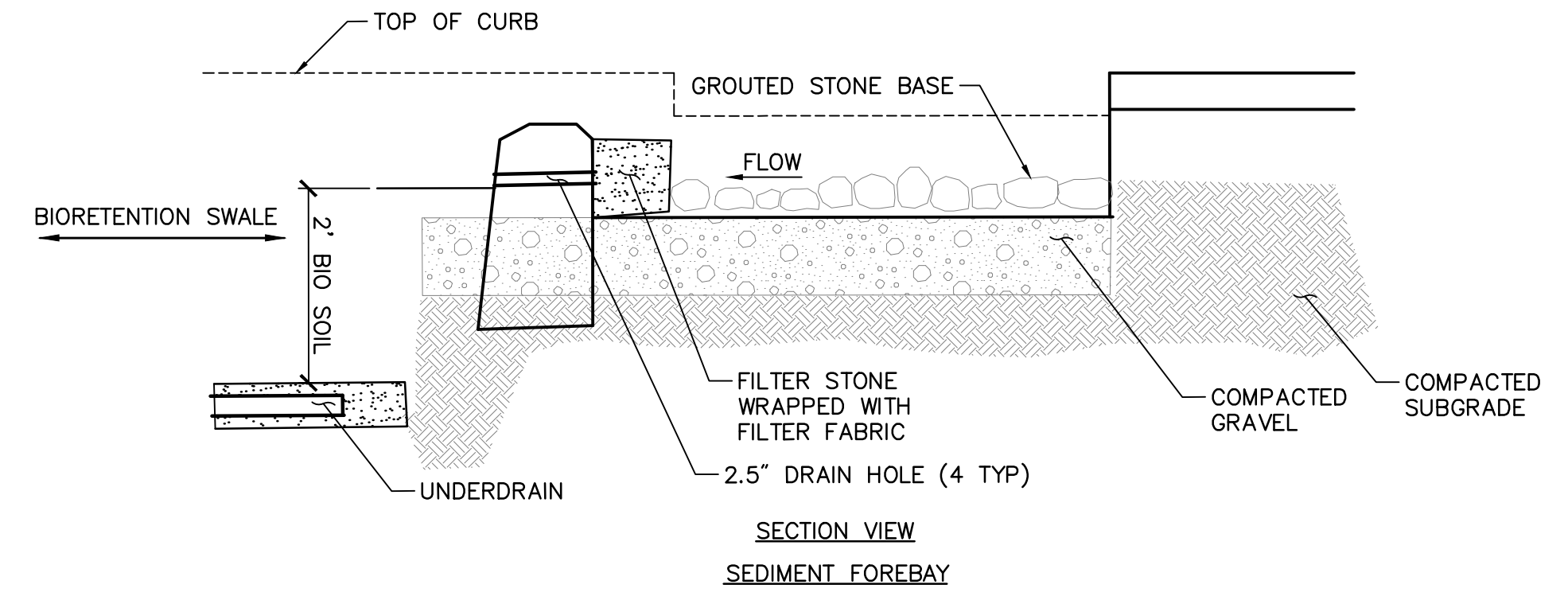


PLANT SCHEDULE

BIORETENTION	QTY	BOTANICAL NAME	COMMON NAME	SIZE	REMARKS
15'	4	Clethra alnifolia	Summersweet	2 GAL.	
	5	Cornus amomium	Silky Dogwood	2 GAL.	
	25	Panicum virgatum	Switch Grass	1 GAL.	
20'	5	Clethra alnifolia	Summersweet	2 GAL.	
	7	Cornus amomium	Silky Dogwood	2 GAL.	
	32	Panicum virgatum	Switch Grass	1 GAL.	
25'	8	Clethra alnifolia	Summersweet	2 GAL.	
	10	Cornus amomium	Silky Dogwood	2 GAL.	
	50	Panicum virgatum	Switch Grass	1 GAL.	



SECTION VIEW



SECTION VIEW

SEDIMENT FOREBAY

BIORETENTION CURB INLET PLANTER
NOT TO SCALE

NO.	DATE	BY
1	10/4/19	VHB
2	10/9/19	VHB

RHODE ISLAND
DEPARTMENT OF TRANSPORTATION

BROAD STREET (ROUTE 114)
REGENERATION PROJECT

PAWTUCKET, CENTRAL FALLS AND CUMBERLAND, RHODE ISLAND

MISCELLANEOUS
DETAILS NO. 2

CHECKED BY _____ DATE _____ SCALE _____

