



# Request for Quote

STATE OF RHODE ISLAND AND PROVIDENCE PLANTATIONS  
ONE CAPITOL HILL  
PROVIDENCE RI 02908

CREATION DATE : 13-FEB-19  
BID NUMBER: 7598596,2  
TITLE: LED THEATRE LIGHTING FIXTURES - RHODE ISLAND COLLEGE  
  
BID CLOSING DATE AND TIME:27-FEB-2019 10:00:00

BUYER: Mosca, Gary  
PHONE #: 401-574-8124

**B  
I  
L  
L  
  
T  
O**  
RIC-PURCHASING  
600 MOUNT PLEASANT AVENUE  
PROVIDENCE, RI 02908  
US

**S  
H  
I  
P  
  
T  
O**  
RIC-PURCHASING  
600 MOUNT PLEASANT AVENUE  
PROVIDENCE, RI 02908  
US

Requisition Number: 1594681

Note to Bidders: QUESTIONS about this solicitation must be emailed and received by the Division of Purchases at [doa.purquestions3@purchasing.ri.gov](mailto:doa.purquestions3@purchasing.ri.gov) no later than February 11, 2019, 5:00 PM (ET), in a Microsoft Word attachment with the corresponding solicitation number. Questions, if any, and responses will be posted on the Division of Purchases website at [www.purchasing.ri.gov](http://www.purchasing.ri.gov) as an addendum to this solicitation

Amendment Description: Clarification:

Per the attached cut sheet the bid request is for Model CSSPOTS - ColorSource Spot shutter barrel, black.

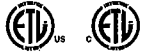
Prospective bidders and all concerned are hereby advised of the attached changes/modifications for the above referenced RFQ and are hereby requested to change their copies accordingly.

Line	Description	Quantity	Unit	Unit Price	Total
1	<p>Delivery To: Rhode Island College Nazarian Center for Performing Arts 600 Mount Pleasant Avenue Providence, RI 02908 A loading Dock is available.</p> <p>All prices shall be quoted F.O.B. destination, freight pre-paid with all transportation and handling charges paid by the Vendor; Responsibility and liability for loss or damage shall remain with the Vendor until final inspection and acceptance when responsibility shall pass to the State except as to latent defects, fraud and or Vendor's warranty obligations; Costs shall include all packaging and/or crating charges which shall be of durable construction, good condition, properly labeled and suitable for handling of contents.</p> <p>ETC COLORSOURCE SPOT BRAND, BLACK WITH EDISON TO POWER CON TAIL WITH BLCK SAFTEY CABLES, OR AS AN APPORVED EQUAL - PER ATTACHED SPECIFICATIONS.</p>	32.00	Each		

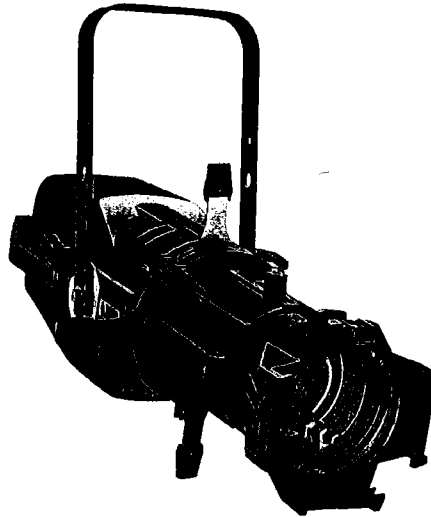
Delivery: \_\_\_\_\_

Terms of Payment: \_\_\_\_\_

It is the Vendor's responsibility to check and download any and all addenda from the RIVIP. This offer may not be considered unless a signed RIVIP generated Bidder Certification Cover Form is attached and the Unit Price column is completed. The signed Certification Cover Form must be attached to the front of the offer



100V 115/120V 230/240V



**GENERAL INFORMATION**

The ETC ColorSource Spot brings together the affordability of a four-color light engine with the build-quality and support of an ETC product. Using a unique mix of red, green, blue and lime LED emitters, the ColorSource spot allows for an amazing range of color and depth, unlike other low-cost LED fixtures. Because it utilizes standard ETC optics, adapters and accessories, it is a versatile solution for any lighting need.

**APPLICATIONS**

- Houses of worship
- Universities and schools
- Hospitality
- Retail
- Exhibition centers
- Meeting rooms
- Clubs
- Cafeteriums

**PRODUCT FEATURES**

- ETC's new RGB-L array (Red, Green, Blue and Lime)
  - Also available in Deep Blue that replaces the blue LEDs with indigo for rich, saturated blues and magentas
- Simple user interface with seven-segment display
- PowerCon in and thru
- DMX/RDM in and thru (5-pin XLR or RJ45)
- LED droop compensation
- Optically calibrated
- Tour-ready, aluminum housing

**ORDERING INFORMATION**

**ColorSource Spot Light Engine with Shutter Barrel**

(For use with fixed-field lens tubes only)

MODEL	DESCRIPTION
CSSPOTS	ColorSource Spot with shutter barrel, black
CSSPOT45S	ColorSource Spot RJ45 with shutter barrel, black
CSSPOTSDB	ColorSource Spot Deep Blue with shutter barrel, black
CSSPOTDB45S	ColorSource Spot Deep Blue RJ45 with shutter barrel, black

**ColorSource Spot Light Engine Body**

(For use with zoom lens tubes and adapters and for retrofit of existing fixtures)

MODEL	DESCRIPTION
CSSPOT	ColorSource Spot, body only, black
CSSPOT45	ColorSource Spot RJ45, body only, black
CSSPOTDB	ColorSource Spot Deep Blue, body only, black
CSSPOTDB45	ColorSource Spot Deep Blue RJ45, body only, black

Color options: -1 = white, -5 = silver gray/custom colors  
 Fixture ships with a soft-focus diffuser in a gobo holder and a 1.5m PowerCON™ power-input cable with a connector of choice. See page 2 for connector options.

**Please note: Lens tubes to be ordered separately.**



## SPECIFICATIONS

## GENERAL

- ETL Listed to UL1573: the standard for stage and studio lighting units
- IP20-rated for indoor use
- Power and DMX in/thru connections for easy setup
- Simple seven-segment, three-button interface with easy access to 12 customizable presets and five sequences

## PHYSICAL

- Rugged, die-cast, all-metal housing
- Available in black (standard), white, silver or custom colors (contact factory)
- C-clamp included
- Positive-locking double-clutch fixture body
- Slot for glass or stainless steel patterns and soft-focus diffuser
- Wide accessory slot with sliding cover for motorized pattern devices or optional iris
- Hanging yoke standard. Optional yoke/floor-stand available

## ELECTRICAL

- 100VAC to 240VAC 50/60Hz universal power input
- PowerCon power in and thru connections
- Up to nine ColorSource Spot fixtures (15A max) may be linked via power thru connector (10 ColorSource Spot luminaires total per circuit) when used with R20 Relay Module or Unison Echo™ Relay Panel
  - Consult breaker-trip curves when used with other equipment. Requires power from a non-dim source
- Inrush
  - 120V: 28A (First half-cycle)
  - 240V: 46A (First half-cycle)

## LED\*

- 54,000-hour LED life (54,000 hours to 70% intensity)
  - 60 Luxeon® Rebel LED emitters
- \*See additional LED notes on page three

## COLOR

- Exclusive RGB-L color array
- Available with a Deep Blue array that replaces blue with indigo
- Brightness and color range unlike any other four-color system.
- Optical calibration for consistency from fixture to fixture
- Droop compensation for consistent output and color accuracy

## OPTICAL

- Use the included soft-focus diffuser for creating washes or soft light
- Best performance using ETC's EDLT lens tubes
- Can use all ETC Source Four® interchangeable lens barrels: 5°, 10°, 14°, 19°, 26°, 36°, 50°, 70°, and 90° field angles, as well as 19°, 26°, 36°, and 50° EDLT lenses
- For better performance, use the LED 50° barrel
- Can be used with Source Four LED CYC and Fresnel adapters

## CONTROL

- Available with DMX512 in and thru via five-pin XLR or RJ45 connectors (Termination Required)
- Simple RGB control (IRGBS profile)
- See DMX Control Table for additional information
- 15-bit virtual dimming engine provides smooth, high-quality theatrical fades and minimizes color shift during dimming
- RDM functionality for address and setting change
- Local control of presets (12) and sequences (5)

## SPECIFICATIONS

## THERMAL

- Ambient operating temperature of 32° to 104°F (0° to 40°C)
- Active electronic thermal management for droop-free operation
- Quiet fan cooling
- Fixture is designed for continuous operation up to 104°F (40°C) ambient temperature and requires free flow of air around fixture housing

## ADDITIONAL ORDERING INFORMATION

## Power Input Cables

Use information below to order 5' power input leads with factory-fitted connectors

MODEL	DESCRIPTION
DPA-A	5ft PowerCon to parallel blade U-ground (Edison) connector
DPA-B	5ft PowerCon to 20A two-pin and ground (stage pin) connector
DPA-C	5ft PowerCon to grounded 20A twistlock connector
DPA-X	5ft PowerCon to bare-end power input lead

## Power Thru Jumpers

Note: Power thru jumpers connect to fixture's output (thru) connector to provide link to successive fixtures

MODEL	DESCRIPTION
DPJ-5	5ft PowerCon-to-PowerCon fixture-to-fixture jumper
DPJ-10	10ft PowerCon-to-PowerCon fixture-to-fixture jumper

## Diffusers

MODEL	DESCRIPTION
S4LED-SFD	Source Four LED - Soft Focus Diffuser (included)
S4LED-SWD6	Source Four LED - Smooth Wash Diffuser for 6.25in gel frame slots
S4LED-SWD7	Source Four LED - Smooth Wash Diffuser for 7.5in gel frame slots
S4LED-SWD12	Source Four LED - Smooth Wash Diffuser for 10° lens tubes
S4LED-SWD14	Source Four LED - Smooth Wash Diffuser for 5° lens tubes

The Soft Focus Diffuser fits into a standard A-size pattern holder and delivers beautiful, homogenized light when not in sharp focus. Also, use with patterns for dappled and soft-edge projections.

The Smooth Wash Diffuser is used when extra-smooth blending of multiple ColorSource Spot luminaires is required. The smooth wash diffuser is placed into the gel-frame slot of the lens tube.

## RJ45 to XLR Adapter Cables

MODEL	DESCRIPTION
W6538	RJ45 to female five-pin XLR adapter (6ft)
W6539	RJ45 to male five-pin XLR adapter (6ft)

**PREFERRED LENSING OPTIONS**

(Lenses sold separately)

**Fixed Beam Lenses**

MODEL	DESCRIPTION
LED50LT	LED-specific 50° EDLT with lenses installed
LED50LT-1	LED-specific 50° EDLT (white) with lenses installed
436EDLT	36° EDLT w/lens installed
436EDLT-1	36° EDLT (white) w/lens installed
426EDLT	26° EDLT w/lens installed
426EDLT-1	26° EDLT (white) w/lens installed
419EDLT	19° EDLT w/lens installed
419EDLT-1	19° EDLT (white) w/lens installed
490LT	90° w/lens installed
490LT-1	90° (white) w/lens installed
470LT	70° w/lens installed
470LT-1	70° (white) w/lens installed
414LT	14° w/lens installed
414LT-1	14° (white) w/lens installed
410LT	10° w/lens installed
410LT-1	10° (white) w/lens installed
405LT	5° w/lens installed
405LT-1	5° (white) w/lens installed

**Zoom Lens Assemblies**

Use with light-engine body models.

MODEL	DESCRIPTION
41530LT	Source Four 15-30° Zoom lens assembly
42550LT	Source Four 25-50° Zoom lens assembly

**LED Adapters**

MODEL	DESCRIPTION
S4LEDCYC	Source Four LED CYC
S4LEDFRES	Source Four LED Fresnel

**Power Consumption With RGB at full**

MODEL	VOLTAGE (V)	CURRENT (A)	MAX POWER (W)
ColorSource Spot	100	1.48	148
	120	1.24	147
	230	0.65	141

**ADDITIONAL ORDERING INFORMATION**

**Fixture Accessories**

MODEL	DESCRIPTION
400CC	C-Clamp (included)
400SC	Safety Cable
400PH-A	Pattern holder (A size)
400PH-B	Pattern holder (B size)
400PH-G	Glass pattern holder
400RS	Drop-In Iris
400CF	Color frame (6.25")
407CF	7.5in square color frame
400DN	Donut
400TH	Top Hat
400HH	Half Hat
DPSJ-X	25ft PowerCon to Edison input power cable with inline switch

**NOTES ABOUT LED LUMINAIRES**

All LED sources experience some lessening of light output and some color shift over time. LED output will vary with thermal conditions. Based on the LED manufacturer's B50 L70 specification, a ColorSource Spot luminaire will achieve ~70% of its initial output after 54,000 hours of typical usage. In individual situations, LEDs will be used for different durations and at different levels. This can eventually lead to minor alterations in color performance, necessitating slight adjustments to presets, cues or programs.

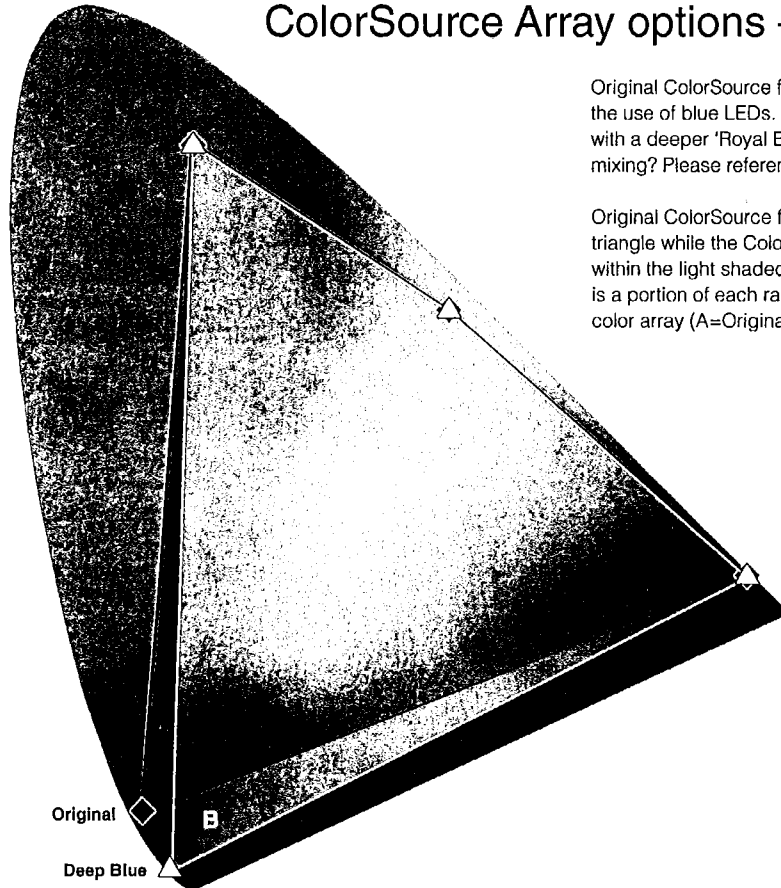
**CONTROL**

**DMX Input Channel Profiles**

DMX Profile	DMX Channels	Channel Assignments	Notes
5ch-Default	5	1-INT 2-Red 3-Green 4-Blue 5-Strobe	
RGB	3	1-Red 2-Green 3-Blue	
1ch	1	1-INT	This mode controls the intensity of Preset 1
Direct	6	1-INT 2-Red 3-Green 4-Blue/Indigo* 5-Lime 6-Strobe	*Original ColorSource Spot fixture uses blue in channel 4; Deep Blue ColorSource Spot fixture uses indigo in channel 4.

## COLORSOURCE VS COLORSOURCE DEEP BLUE

## ColorSource Array options – Original vs. Deep Blue



Original ColorSource fixtures use an RGB-L array where the 'B' represents the use of blue LEDs. ColorSource Deep Blue replaces those blue LEDs with a deeper 'Royal Blue' (indigo) LED. How does this impact your color mixing? Please reference the color chart.

Original ColorSource fixtures can reach any color within the dark shaded triangle while the ColorSource Deep Blue fixtures can reach any color within the light shaded triangle. While much of these areas overlap, there is a portion of each range that can only be reached by the respective color array (A=Original, B=Deep Blue).

**Common gels found in original ColorSource**

Roscolux 095, 075, 076

Lee 363, 119, 721, 722, 132, 141, 183, 172, 325

**Common gels found in ColorSource Deep Blue**Roscolux 384, 385, 382, 059, 358, 347, 049, 349,  
046, 124, 027, 120

Lee 126, 049, 798, 707, 181, 071, 120, 716

PHOTOMETRY

See ColorSource Spot Photometry Guide available at [www.etconnect.com](http://www.etconnect.com)

PHYSICAL

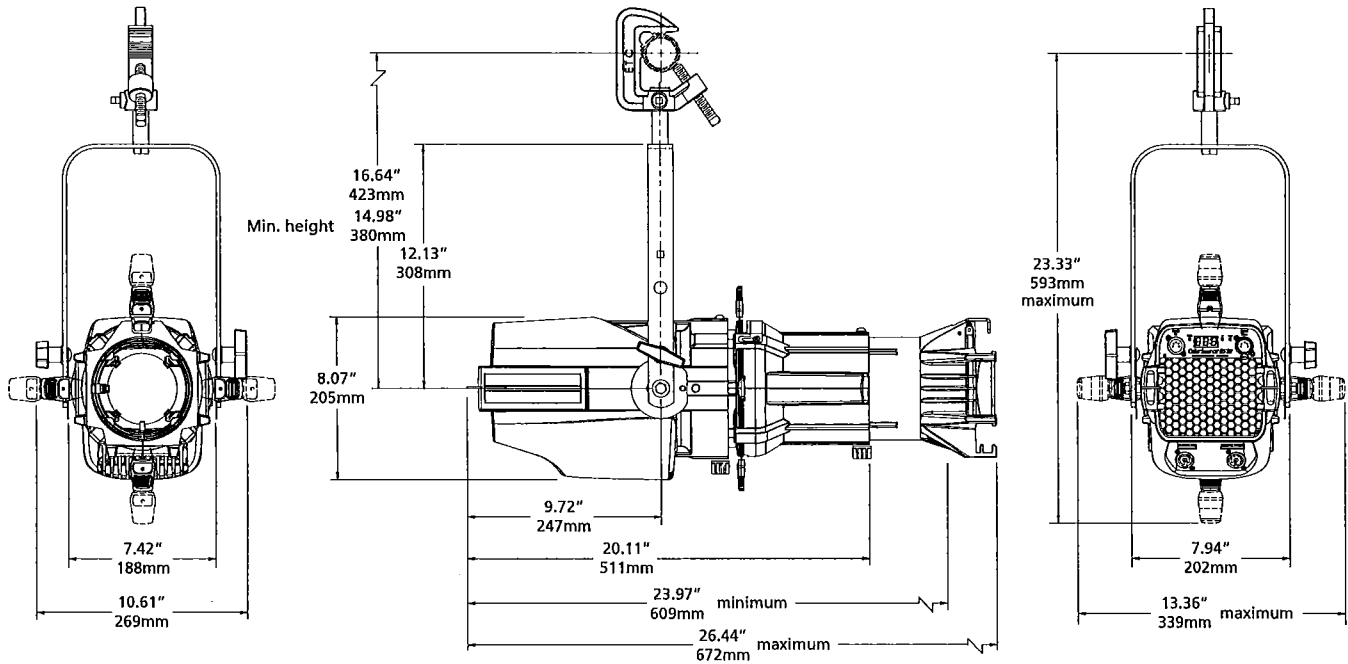
**ColorSource Spot Weights**

	WEIGHT*		SHIPPING WEIGHT	
	lbs	kgs	lbs	kgs
With Barrel	17.0	7.7	22.0	10.0
Without Barrel	13.0	5.9	16.3	7.4

\* Does not include mounting hardware or lens tube

**ColorSource Spot Dimensions**

	HEIGHT		WIDTH		DEPTH	
	in	mm	in	mm	in	mm
ColorSource Spot	23.33	593	13.36	339	26.44	672



**Corporate Headquarters** • 3031 Pleasant View Rd, PO Box 620979, Middleton WI 53562 0979 USA • +1 608 831 4116  
**London, UK** • Unit 26-28, Victoria Industrial Estate, Victoria Road, London W3 6UU, UK • +44 (0) 20 8896 1000  
**Rome, IT** • Via Pieve Torina, 48, 00156 Rome, Italy • +39 (06) 32 111 683  
**Holzkirchen, DE** • Ohmstrasse 3, 83607 Holzkirchen, Germany • +49 (80 24) 47 00-0  
**Hong Kong** • Room 1801, 18/F, Tower 1 Phase 1, Enterprise Square, 9 Sheung Yuet Road, Kowloon Bay, Kowloon, Hong Kong • +852 2799 1220  
**Web** • [etconnect.com](http://etconnect.com) • Copyright©2017 ETC. All Rights Reserved. All product information and specifications subject to change. 7413L1001 Rev H 06/17

**Contract Terms and Conditions**

**Table of Contents**

Terms and Conditions.....VI  
    BID STANDARD TERMS AND CONDITIONS .....VI  
        TERMS AND CONDITIONS FOR THIS BID .....VI  
        INSURANCE REQUIREMENTS .....VI  
        DELIVERY PER AGENCY .....VI  
        NON-COMPLIANCE - SPECIFICATION .....VI  
        BLANKET PAYMENT .....VI  
        EQUAL OPPORTUNITY COMPLIANCE .....VI  
        PURCHASE AGREEMENT BID .....VII  
        QUOTATION TERMS .....VII  
        RIVIP INFO - BID SUBMISSION REQUIREMENTS .....VII  
        VENDOR SPECIFICATIONS .....VIII

**Terms and Conditions**

**BID STANDARD TERMS AND CONDITIONS**

**TERMS AND CONDITIONS FOR THIS BID**

**INSURANCE REQUIREMENTS**

AN INSURANCE CERTIFICATE IN COMPLIANCE WITH PROVISIONS OF ITEM 31 (INSURANCE) OF THE GENERAL CONDITIONS OF PURCHASE IS REQUIRED FOR COMPREHENSIVE GENERAL LIABILITY, AUTOMOBILE LIABILITY, AND WORKERS' COMPENSATION AND MUST BE SUBMITTED BY THE SUCCESSFUL BIDDER(S) TO THE DIVISION OF PURCHASES PRIOR TO AWARD. THE INSURANCE CERTIFICATE MUST NAME THE STATE OF RHODE ISLAND AS CERTIFICATE HOLDER AND AS AN ADDITIONAL INSURED. FAILURE TO COMPLY WITH THESE PROVISIONS MAY RESULT IN REJECTION OF THE OFFEROR'S BID. ANNUAL RENEWAL CERTIFICATES MUST BE SUBMITTED TO THE AGENCY IDENTIFIED ON THE PURCHASE ORDER. FAILURE TO DO SO MAY BE GROUNDS FOR CANCELLATION OF CONTRACT.

NOTE: IF THIS BID COVERS CONSTRUCTION, SCHOOL BUSING, HAZARDOUS WASTE, OR VESSEL OPERATION, APPLICABLE COVERAGES FROM THE FOLLOWING LIST MUST ALSO BE SUBMITTED TO THE DIVISION OF PURCHASES PRIOR TO AWARD: \* PROFESSIONAL LIABILITY INSURANCE (AKA ERRORS & OMISSIONS) - \$1 MILLION OR 5% OF ESTIMATED PROJECT COST, WHICHEVER IS GREATER. \* BUILDER'S RISK INSURANCE - COVERAGE EQUAL TO FACE AMOUNT OF CONTRACT FOR CONSTRUCTION. \* SCHOOL BUSING - AUTO LIABILITY COVERAGE IN THE AMOUNT OF \$5 MILLION. \* ENVIRONMENTAL IMPAIRMENT (AKA POLLUTION CONTROL) - \$1 MILLION OR 5% OF FACE AMOUNT OF CONTRACT, WHICHEVER IS GREATER. \* VESSEL OPERATION - (MARINE OR AIRCRAFT) - PROTECTION & INDEMNITY COVERAGE REQUIRED IN THE AMOUNT OF \$1 MILLION.

**DELIVERY PER AGENCY**

DELIVERY OF GOODS OR SERVICES AS REQUESTED BY AGENCY.

**NON-COMPLIANCE - SPECIFICATION**

THE PRODUCT(S) PROVIDED BY VENDORS WILL BE SUBJECT TO RANDOM TESTING. IF THE PRODUCT DOES NOT MEET SPECIFICATION, THE VENDOR WILL BE RESPONSIBLE FOR ADMINISTRATIVE COSTS, LAB TESTING AND PERSONNEL COSTS. NON-COMPLIANCE OF THE PRODUCT TO THE BID SPECIFICATION WILL RESULT IN THE REVOCATION OF THE CONTRACT/PURCHASE ORDER.

**BLANKET PAYMENT**

DELIVERY OF GOODS OR SERVICES AS REQUESTED BY AGENCY. PAYMENTS WILL BE AUTHORIZED UPON SUBMISSION OF PROPERLY RENDERED INVOICES NO MORE THAN MONTHLY TO THE RECEIVING AGENCY. ANY UNUSED BALANCE AT END OF BLANKET PERIOD IS AUTOMATICALLY CANCELLED.

**EQUAL OPPORTUNITY COMPLIANCE**

THIS PURCHASE ORDER IS AWARDED SUBJECT TO EQUAL OPPORTUNITY COMPLIANCE.



**PURCHASE AGREEMENT BID**

**BIDDING** (a) A single price shall be quoted for each item against which a proposal is submitted. This price will be the maximum in effect during the agreement period. Any price decline at the manufacturer's level shall be reflected in a reduction of the agreement price to the State. (b) Quantities, if any, are estimated only. The agreement shall cover the actual quantities ordering during the period. Deliveries will be billed at the single, firm, awarded unit price quoted regardless of the quantities ordered. (c) Bid price is net F.O.B. destination and shall include inside delivery at no extra cost. (d) Bids for single items and/or a small percentage of total items listed, may, at the State's sole option, be rejected as being non-responsive to the intent of this request. **ORDERING** (a) The User Agency(s) will submit individual orders for the various items and various quantities as may be required during the agreement period. (b) Exception - Regardless of any agreement resulting from this bid, the State reserves the right to solicit prices separately for any extra large requirements for delivery to specific destinations.

Mailing Address for Bid Proposals issued by the State of Rhode Island, Division of Purchases:

All Bid Proposals must be submitted to the following address:

State of Rhode Island  
Department of Administration  
Division of Purchases, 2nd Floor  
One Capitol Hill  
Providence, RI 02908

**QUOTATION TERMS**

ALL QUOTES ARE SUBJECT TO THE TERMS AND CONDITIONS STATED IN THE BID.

**RIVIP INFO - BID SUBMISSION REQUIREMENTS**

It is the vendor's responsibility to check and download any and all addenda from the RIVIP. This offer may not be considered unless a signed RIVIP generated Bidder Certification Cover Form is attached and the Unit Price column is completed. The signed Certification Cover Form should be attached to the front of the offer. Each bid proposal must be submitted in a separate sealed envelope with the bidder's name and address and the specific "Solicitation Number," "Solicitation Title," and the "Bid Proposal Submission Deadline" marked in the upper left-hand corner of the envelope.

The bid proposal must be delivered (via mail, messenger service, or personal delivery) to the Division of Purchases and date-stamped/receipted by the date and time specified for the bid proposal submission deadline. Bidders should mail bid proposals sufficiently in advance of the bid proposal submission deadline to ensure timely delivery to the Division of Purchases or, when delivering a bid proposal in person or by messenger, should allow additional time for parking and clearance through security checkpoints. Bid proposals must be addressed to:

Rhode Island Department of Administration  
Division of Purchases, 2nd Floor  
One Capitol Hill, Providence, RI 02908-5855

Bid proposals that are not received by the Division of Purchases by the bid proposal submission deadline for whatever reason will be deemed late and will not be considered. The submission time will be determined by the time clock in the Division of Purchases. Postmarks will not be considered proof of timely submission.

Bid proposals in electronic format are not accepted at this time.

At the bid proposal submission deadline, bid proposals will be opened and read aloud in public.

**DIVESTITURE OF INVESTMENTS IN IRAN REQUIREMENT:**

**No vendor engaged in investment activities in Iran as described in R.I. Gen. Laws §37-2.5-2(b) may submit a bid proposal to, or renew a contract with, the Division of Purchases. Each vendor submitting a bid proposal or entering into a renewal of a contract is required to certify that the vendor does not appear on the list maintained by the General Treasurer pursuant to R.I. Gen. Laws §37-2.5-3.**

**VENDOR SPECIFICATIONS**

ALL VENDORS MUST INCLUDE SPECIFICATIONS WITH BID PROPOSAL (EVEN THOSE BIDDING BRAND SPECIFIED). FAILURE TO SUBMIT SPECIFICATIONS WITH BID PROPOSAL MAY RESULT IN DISQUALIFICATION OF BID. ITEMS IN CATALOGS MUST BE CLEARLY MARKED AND PAGES TABBED.